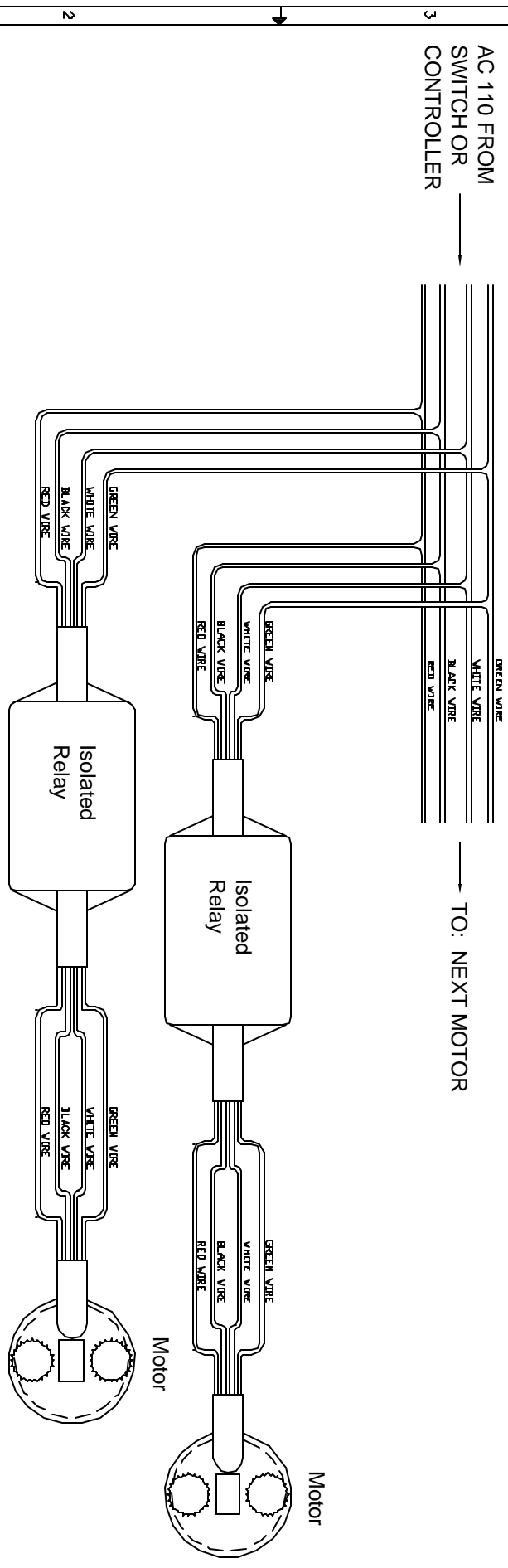


# ISOLATED RELAY - PARALLEL HOOKUP



CONFIDENTIAL  
 All materials disclosed in this document is proprietary to BTX Window Automation. Holder agrees to maintain it in confidence and must not replicate or reveal this information in any manner.

Project	SWITCHES
Dim	INCHES
Tolerances	
	xxx ± .015 (0.4mm)
	xxx ± .005 (0.2mm)
	ANG ± .5°

	<b>BTX Window Automation</b> 10903 Savelle Dr. Dallas, Texas 75239 (972) 263-1110 (972) 263-9444 FAX		
	Title	ISOLATED RELAY PARALLEL HOOKUP	
Size	WALL	DWG No:	
A		150 relay parallel	
By: G. BENNETT	Date: 8-JULY-02	Scale: NTS	Sheet 1 of 1