

4

3

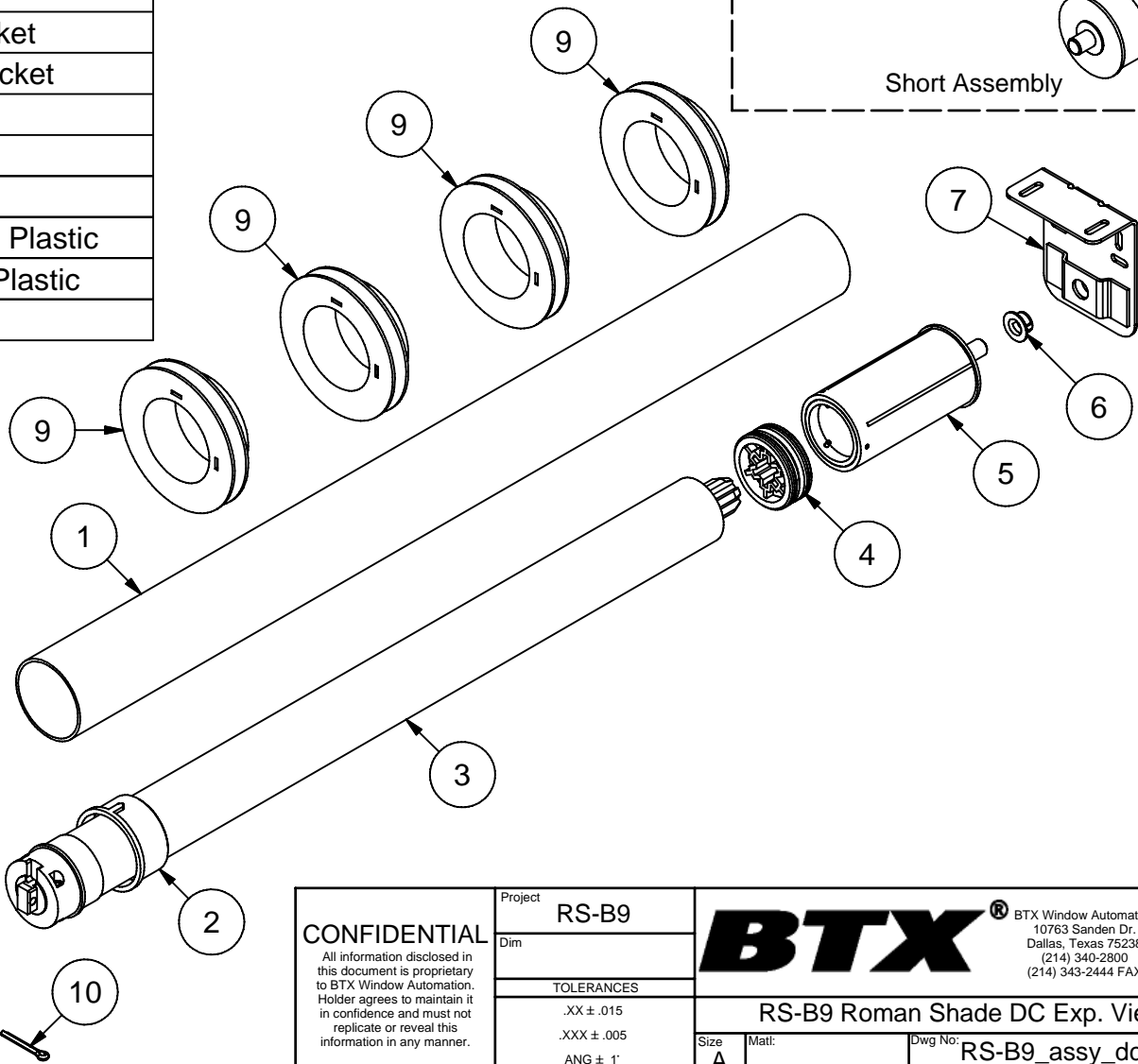
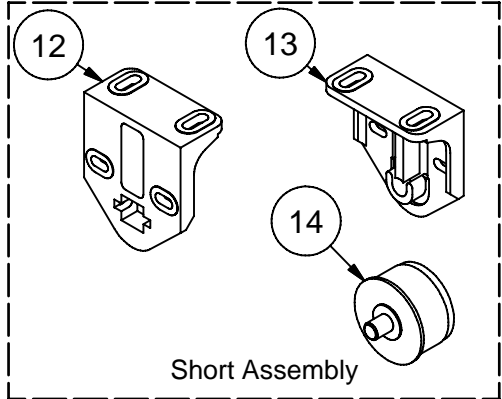
2

1

Parts List

ITEM	PART NUMBER	DESCRIPTION
1	311.2120	2" Aluminum Tube
2	230.1045	Crown Adapter
3	101.9200	SQ Motor
4	230.2045	Drive Adapter
5	258.9500	Spring Idler
6	268.1010	Idler Bushing
7	236.5011	Idler End Bracket
8	236.5001	Motor End Bracket
9	284.5000	Tape Spool
10	278.9000	Cotter Pin
11	263.7000	Tape
12	236.2005	Motor Bracket, Plastic
13	236.2000	Idler Bracket, Plastic
14	258.5015	Short Idler

Rev:	Description	Date:	Initial:
------	-------------	-------	----------



CONFIDENTIAL

All information disclosed in this document is proprietary to BTX Window Automation. Holder agrees to maintain it in confidence and must not replicate or reveal this information in any manner.

Project	RS-B9			BTX [®]	BTX Window Automation 10763 Sanden Dr. Dallas, Texas 75238 (214) 340-2800 (214) 343-2444 FAX
Dim					
TOLERANCES				RS-B9 Roman Shade DC Exp. View	
	.XX ± .015	Size	A	Matl:	
	.XXX ± .005	Dwg No:		RS-B9_assy_dc	Rev
	ANG ± 1°	By:	G. Bennett	Date:	3-Apr-06
		Scale:	1/4	Sheet	1 of 1

4

3

2

1

D

C

B

A

D

C

B

A