

4

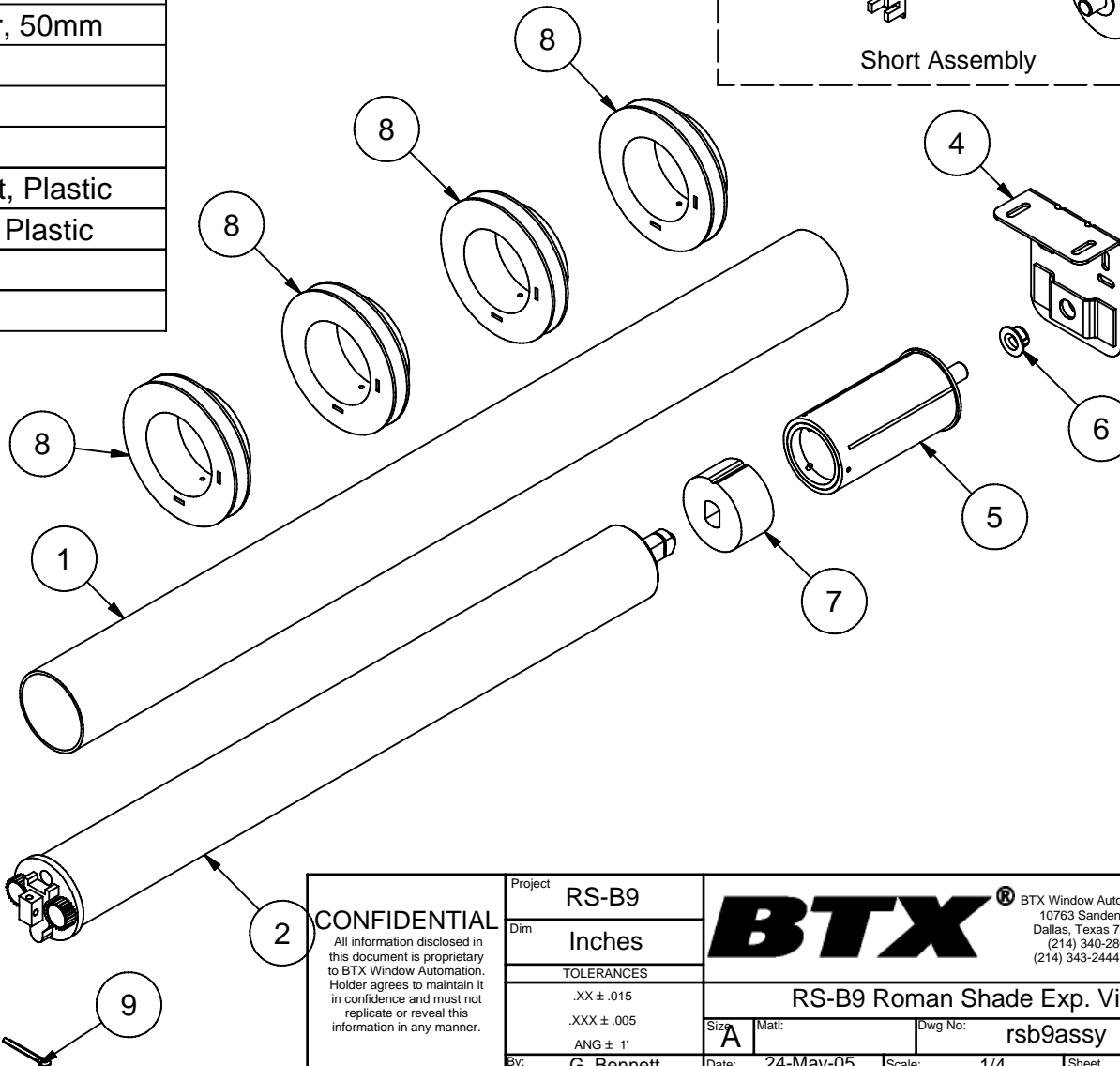
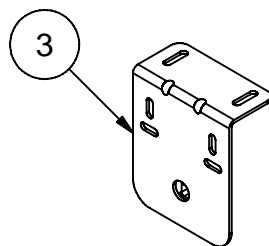
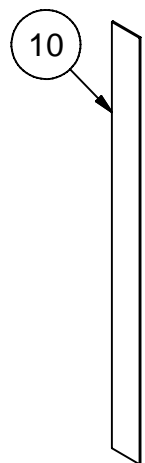
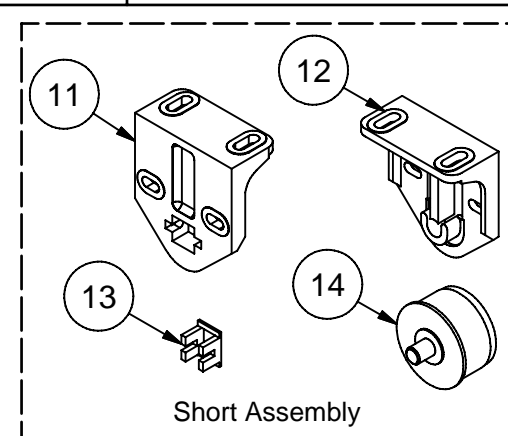
3

2

1

## Parts List

ITEM	PART NUMBER	DESCRIPTION
1	311.2120	2in Aluminum Tube
2	102.2000	9/7 Motor, AC
3	236.5001	Motor End Bracket
4	236.5011	Idler End Bracket
5	258.9500	Spring Idler
6	268.1010	Idler Bushing
7	230.5000	Drive Adapter, 50mm
8	284.5000	Tape Spool
9	278.9000	Retaining Pin
10	263.7000	Tape
11	236.2005	Motor Bracket, Plastic
12	236.2000	Idler Bracket, Plastic
13	236.4200	Plastic Insert
14	258.5015	Short Idler

**CONFIDENTIAL**

All information disclosed in this document is proprietary to BTX Window Automation. Holder agrees to maintain it in confidence and must not replicate or reveal this information in any manner.

Project RS-B9

Dim Inches

TOLERANCES

.XX ± .015

.XXX ± .005

ANG ± 1°

By: G. Bennett

**BTX**® BTX Window Automation  
10763 Sanden Dr.  
Dallas, Texas 75238  
(214) 340-2800  
(214) 343-2444 FAX

RS-B9 Roman Shade Exp. View

Size A

Matl:

Dwg No:

rsb9assy

Rev

Date: 24-May-05

Scale: 1/4

Sheet 1 of 1