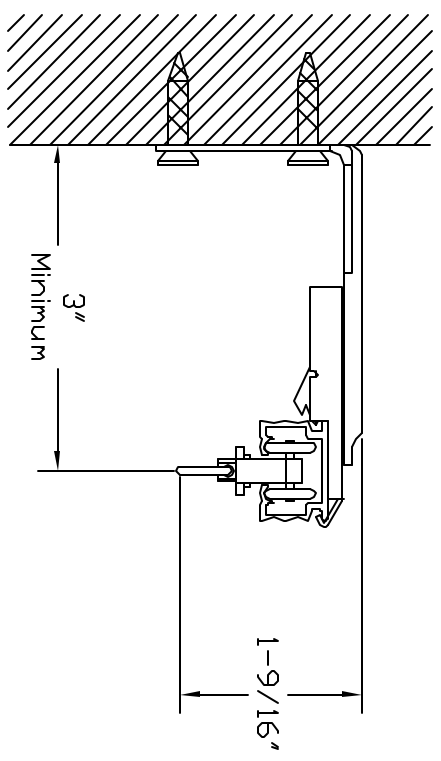
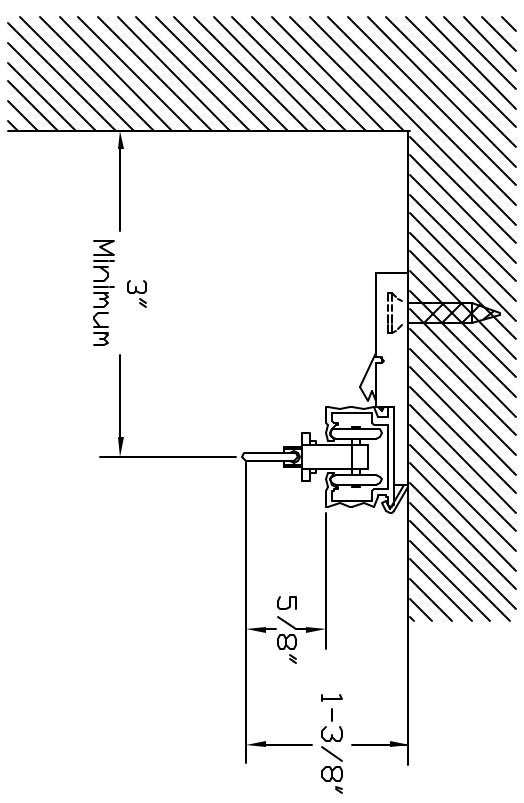


Single Wall Mount



Single Ceiling Mount



CONFIDENTIAL

All information disclosed in this document is proprietary to BTX Window Automation. Holder owners to maintain its confidentiality and must not replicate or reveal this information in any manner.

Project: MOTORDRAPE
Dim: INCHES
Tolerances:

XXX ± .015
XXX ± .005
ANG ± .5°

By: G. BENNETT

BTX™

BTX Window Automation
11800 Allen Road
Dallas, Texas 75224
Tel: 414.444.9991
Fax: 414.444.4444

Title: MOTORDRAPE MOUNTING DETAIL

Size: A
Date: 12-APR-00
Scale: NTS
Sheet 1 of

