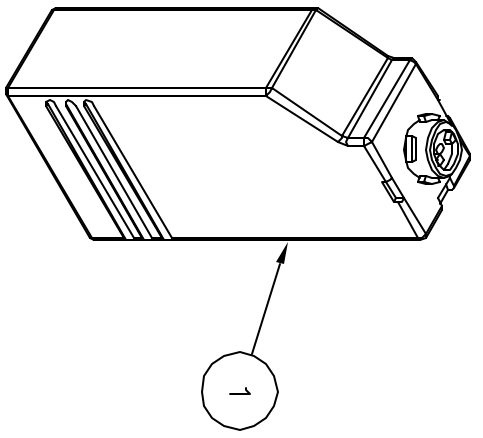


1. Drive Motor
2. Drive end unit
3. Headrail
4. Carrier
5. Overlap Arm
6. Endcap
7. Mounting Bracket



CONFIDENTIAL

All information disclosed in this document is proprietary to BTX Window Automation. Holder agrees to maintain its confidentiality and must not replicate or reveal this information in any manner.

Project	MOTORDRAPE
Dim	INCHES
Tolerances	.XX ± .015 .XXX ± .005 ANG ± .5°

		BTX Window Automation 10000 Alder Drive Dallas, Texas 75244 (972) 242-1910 (972) 242-8444 fax	
Title	MOTORDRAPE EXPLODED VIEW	Dwg No:	motor assy
Size	A	Date:	12-APR-00
Matl:		Scale:	NIS
By: G. BENNETT		Sheet	1 of 1