

4

3

2

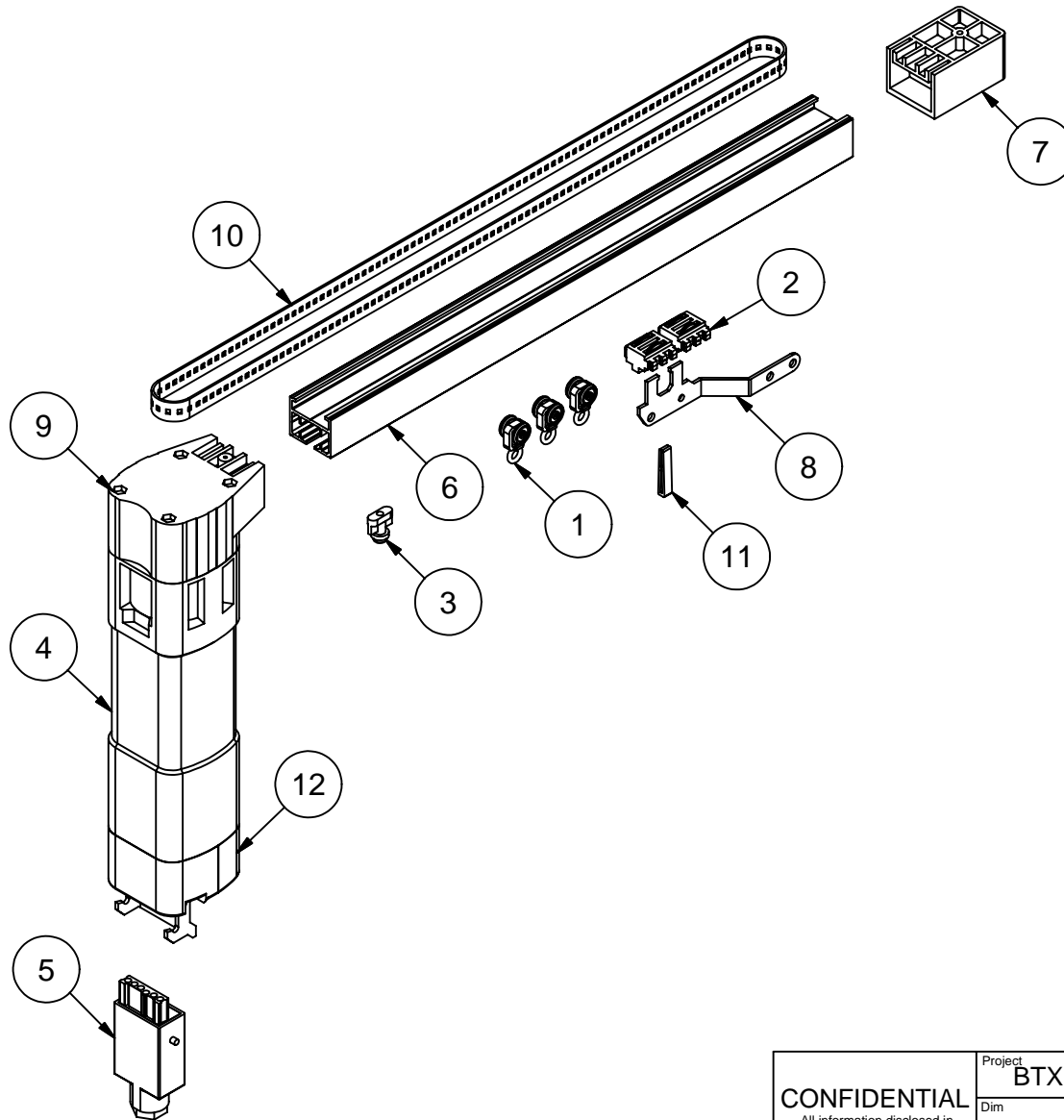
1

System

BTX Drape

Part No.

Sub Part No.



Components	
ITEM	DESCRIPTION
1	Drapery Carrier
2	Drive Block
3	Rail Stop
4	Sofia™ 45W Motor
5	Motor Plug
6	Headrail
7	Non-Drive Gear
8	Master Overlap
9	Drive Gear
10	Drive Belt
11	Locking Clip
12	Limit Cover

A

4

3

2

1

CONFIDENTIAL

All information disclosed in this document is proprietary to BTX Window Automation. Holder agrees to maintain it in confidence and must not replicate or reveal this information in any manner.

Project
BTX Drape

Dim

TOLERANCES

.XX ± .015

.XXX ± .005

ANG ± 1°

By: G. Bennett



BTX Window Automation
10763 Sanden Dr.
Dallas, Texas 75238
(214) 340-2800
(214) 343-2444 FAX

Sofia™ 45W Drapery System

Size: A | Matl: | Dwg No: 45wBTXdrpassy00 | Rev

Date: 7-Mar-05 | Scale: 1/4 | Sheet 1 of 1

A