

4

3

2

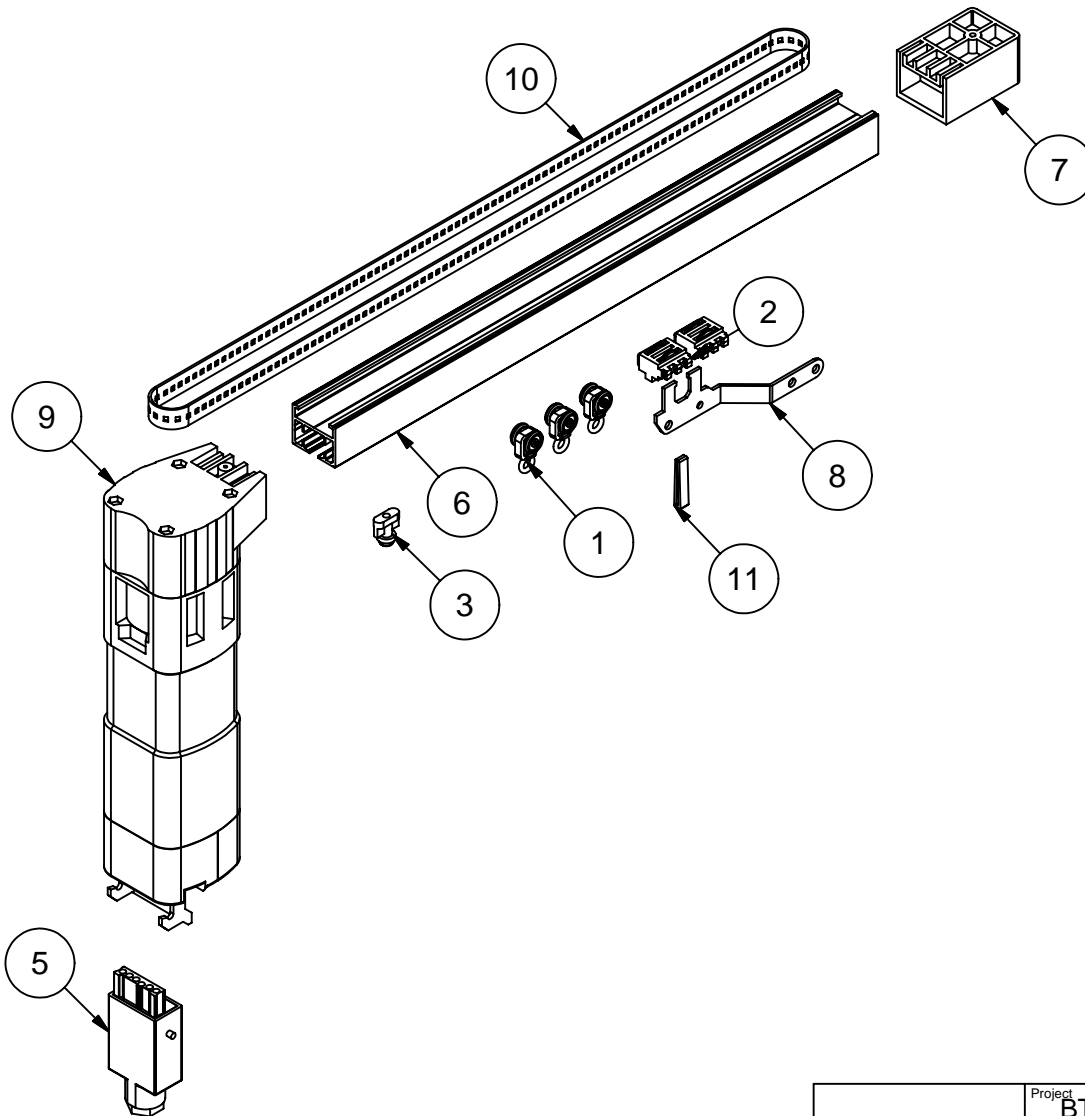
1

System

BTX Drape

Part No.

Sub Part No.



Components	
ITEM	DESCRIPTION
1	Drapery Carrier
2	Drive Block
3	Rail Stop
5	Motor™ Plug
6	Headrail
7	Non-Drive Gear
8	Master Overlap
9	Drive Gear
10	Drive Belt
11	Locking Clip
12	Limit Cover
15	
16	

D

D

C

C

B

B

A

A

4

3

2

1

**CONFIDENTIAL**

All information disclosed in this document is proprietary to BTX Window Automation. Holder agrees to maintain it in confidence and must not replicate or reveal this information in any manner.

Project  
BTX Drape

Dim

TOLERANCES

.XX ± .015

.XXX ± .005

ANG ± 1°

By: G. Bennett

**BTX**®

BTX Window Automation  
10763 Sanden Dr.  
Dallas, Texas 75238  
(214) 340-2800  
(214) 343-2444 FAX

Sofia™ 30W Drapery System

Size A Matl: Dwg No: 30wBTXdrpassy00 Rev

Date: 7-Mar-05

Scale: 1/4

Sheet 1 of 1