

4

3

2

1

System	Part No.	Sub Part No.
--------	----------	--------------

D

D

C

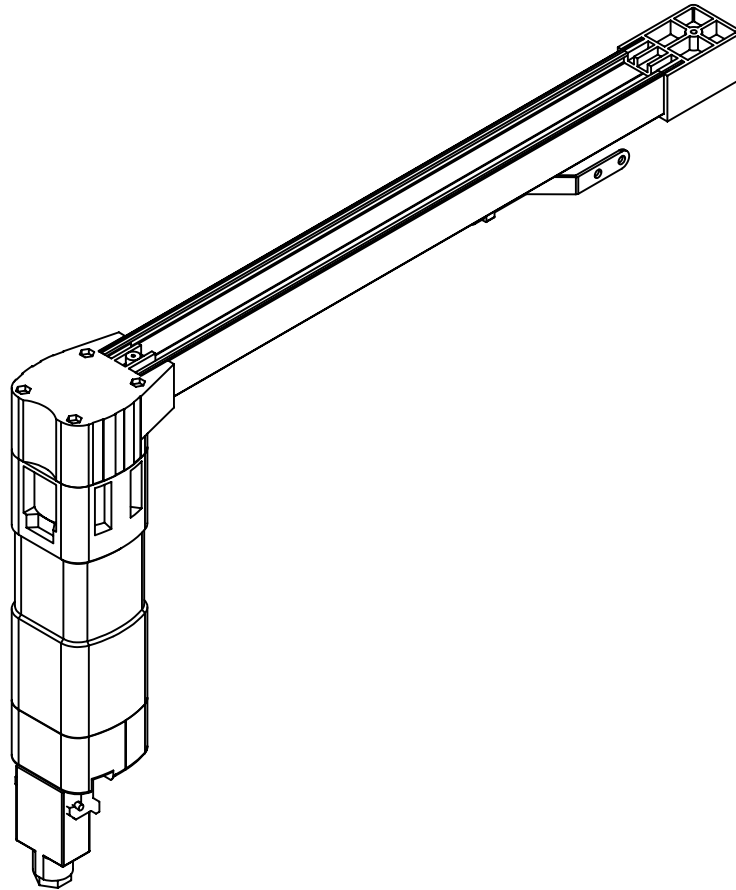
C


B

B

A

A



<p><b>CONFIDENTIAL</b></p> <p>All information disclosed in this document is proprietary to BTX Window Automation. Holder agrees to maintain it in confidence and must not replicate or reveal this information in any manner.</p>	Project: <b>BTX Drape</b>	 <p>BTX Window Automation 10763 Sanden Dr. Dallas, Texas 75238 (214) 340-2800 (214) 343-2444 FAX</p>			
	Dim: <b>Inches</b>				
	TOLERANCES		<b>Sofia™ 30W Drapery System</b>		
	.XX ± .015 .XXX ± .005 ANG ± 1°				Size: <b>A</b>
By: <b>G. Bennett</b>		Date: <b>7-Mar-05</b>	Scale: <b>1/4</b>	Sheet <b>1</b> of <b>1</b>	

4

3

2

1

