

4

3

2

1

System

BTX Drape

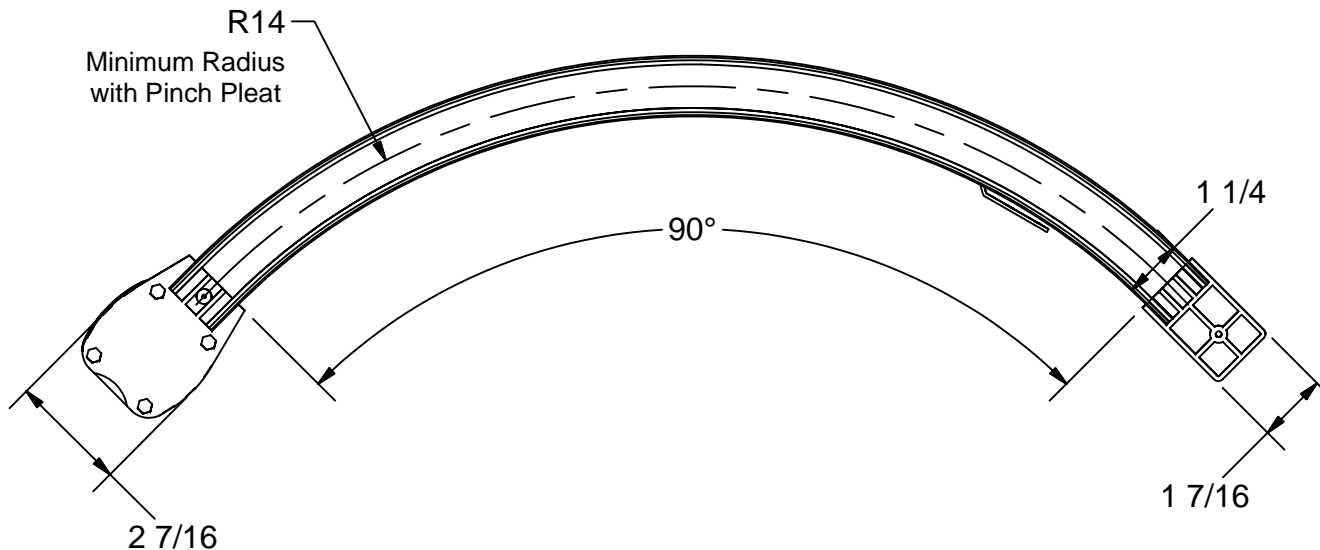
Part No.

Sub Part No.

D

D

R14
Minimum Radius
with Pinch Pleat

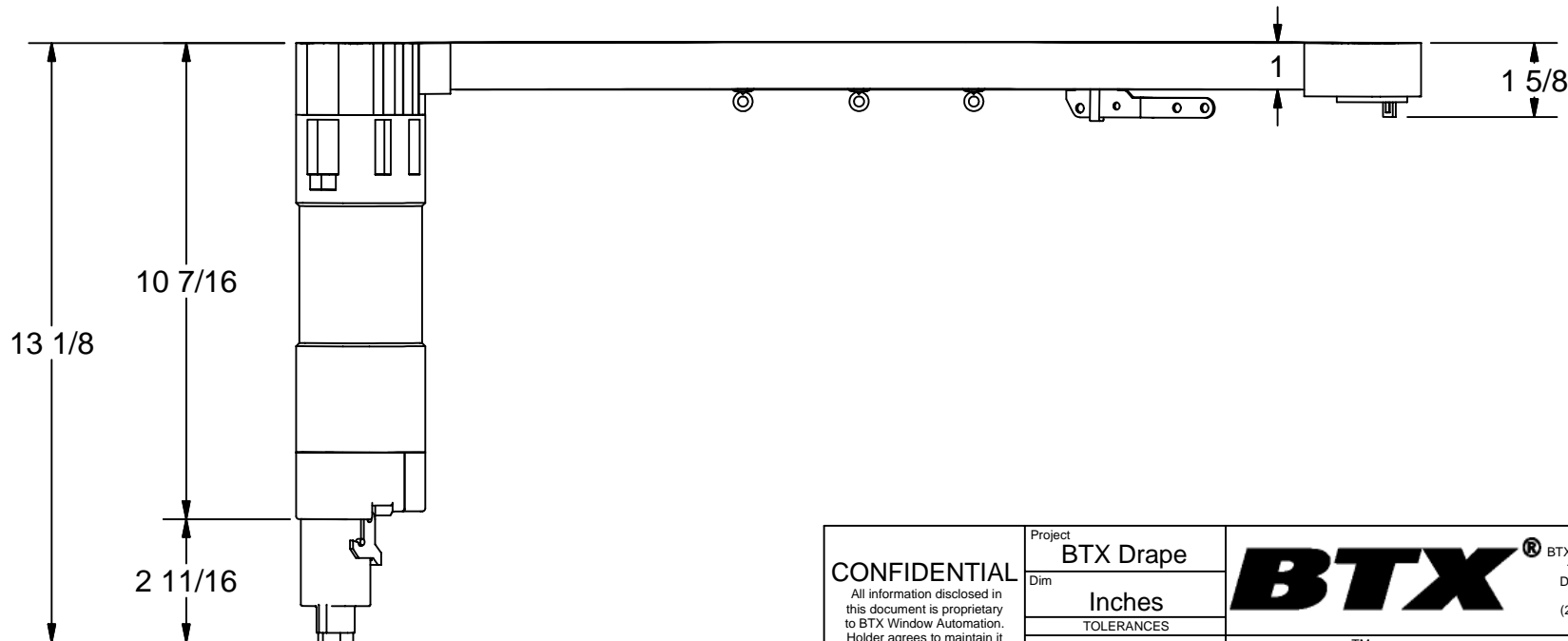


C

C

B

B



B

B

A

A

CONFIDENTIAL

All information disclosed in this document is proprietary to BTX Window Automation. Holder agrees to maintain it in confidence and must not replicate or reveal this information in any manner.

Project
BTX Drape

Dim
Inches

TOLERANCES

.XX ± .015

.XXX ± .005

ANG ± 1°

By: G. Bennett

BTX®

BTX Window Automation
10763 Sanden Dr.
Dallas, Texas 75238
(214) 340-2800
(214) 343-2444 FAX

Sofia™ 45W Curved Drapery System

Size A Matl: Dwg No. 45wBTXcrvassy00 Rev

Date: 9-Mar-05

Scale: 1/4

Sheet 1 of 1

4

3

2

1

A