

4

3



2

1

System

BTX Drape

Part No.

Sub Part No.

D

D

C

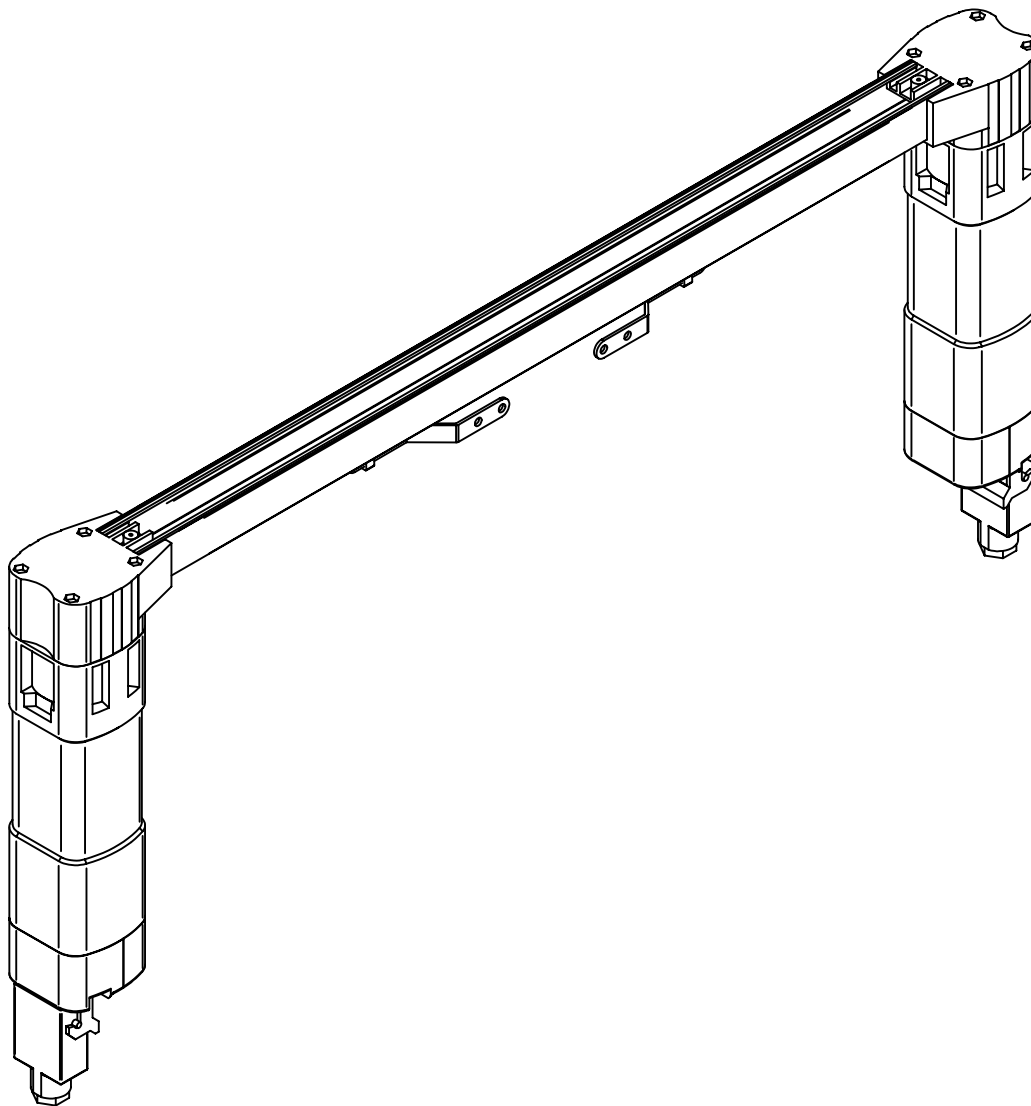
C

B

B

A

A



CONFIDENTIAL

All information disclosed in this document is proprietary to BTX Window Automation. Holder agrees to maintain it in confidence and must not replicate or reveal this information in any manner.

Project **BTX Drape**

Dim

TOLERANCES

.XX ± .015

.XXX ± .005

ANG ± 1°



BTX Window Automation
10763 Sanden Dr.
Dallas, Texas 75238
(214) 340-2800
(214) 343-2444 FAX

Sofia™ 45W Tandem Drapery System

Size **A**

Matl:

Dwg No:

45wBTXtndmassy00

Rev

By:

G. Bennett

Date:

8-Mar-05

Scale:

1/4

Sheet

1

of

1

4

3



2

1